

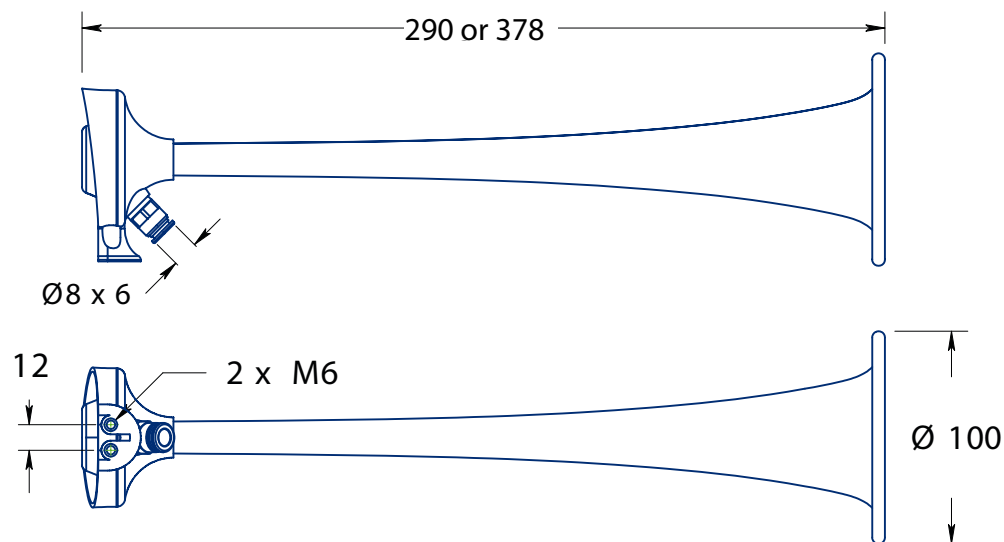
# AIR HORN H100 Series

## Specifications

- Materials : Solid brass horn, stainless steel 316 membrane house
- Finish : Painted mat black or polished chrome
- Connection : ¼" Push in fitting for Ø8 x 6mm hose
- Sound pressure : 118-120 dB(A)
- Consumption : Max 2l/s at 0,5 -1 Bar

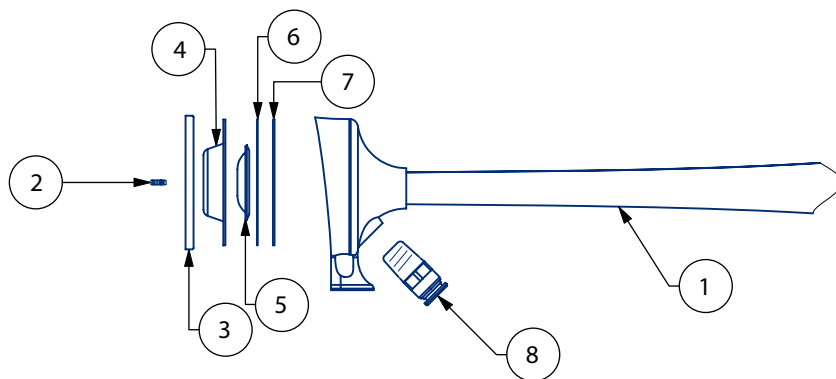
Model	Ground frequency	Length	Diameter	Finish
H100B	478Hz	290mm	100mm	Black
H100C	478Hz	290mm	100mm	Chrome
H110B	378Hz	378mm	100mm	Black
H110C	378Hz	378mm	100mm	Chrome

The DHR H100 series air horns work on a small (air horn) compressor



All dimensions in mm.

## Parts list



No.	Description
1	Horn H100, with diaphragm casing
1	Horn H110, with diaphragm casing
2	Set Screw M4
3	Stainless steel retainer ring
4	Lid diaphragm casing
5	Pressure distributor diaphragm
6	Diaphragm
7	Gasket
8	Push-in coupling ¼"