

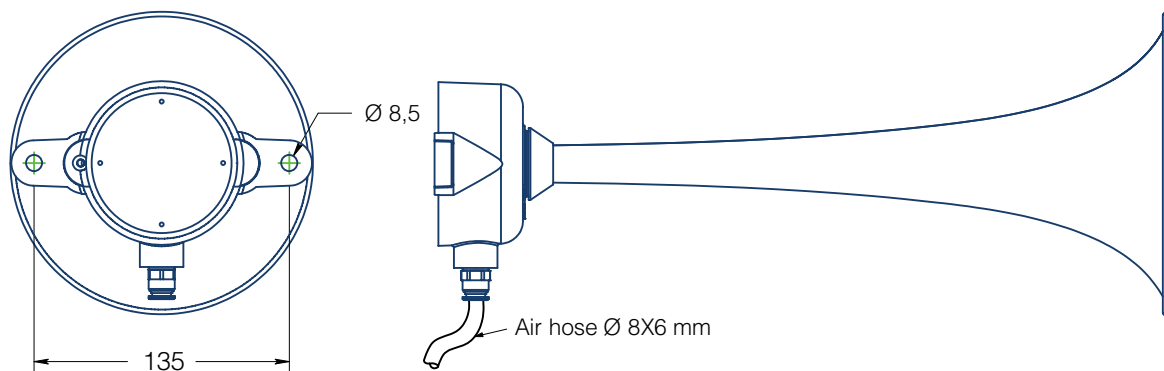
AIR HORN DHR H200 Series

Specifications

- Materials : Solid brass horn, stainless steel 316 membrane house
- Finish : Painted mat black
- Connection : 1/4" Push in fitting for Ø8 x 6mm hose

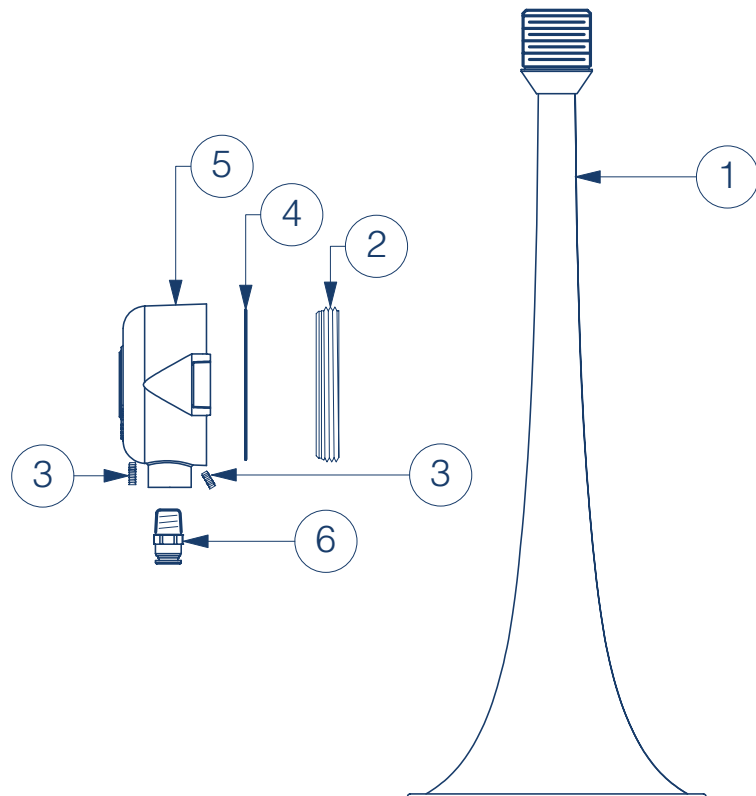
Model	Ground frequency	Sound pressure	Consumption	Air pressure	Weight	Length	Diameter
H200	660Hz	116-138dB(A)	2 - 3,5 l/s	2 - 10 Bar	1,2 Kg	198mm	130mm
H210	377Hz	116-132 dB(A)	1,5 - 3,5 l/s	1,5 - 10 Bar	1,4 Kg	387mm	160mm
H220	307Hz	116-132 dB(A)	1,5 - 3,5 l/s	1,5 - 10 Bar	1,4 Kg	450mm	130mm

The DHR H200 series air horns work on both a small (air horn) compressor or on the onboard compressor.



Parts list

Number	Description
	Horn H200, 198mm
1	Horn H210, 387mm
	Horn H220, 450mm
2	Membrane housing lid
3	Cup point M4
4	Membrane
5	Membrane housing (SS)
6	Push-in fitting 1/4"



Den Haan Rotterdam
 Fascinatio Boulevard 1182
 2909 VA Capelle aan den IJssel
 The Netherlands
 T +31(0) 10 413 0755
 E Sales@dhr.nl
 www.dhr.nl

Advanced Maritime Signalling Solutions